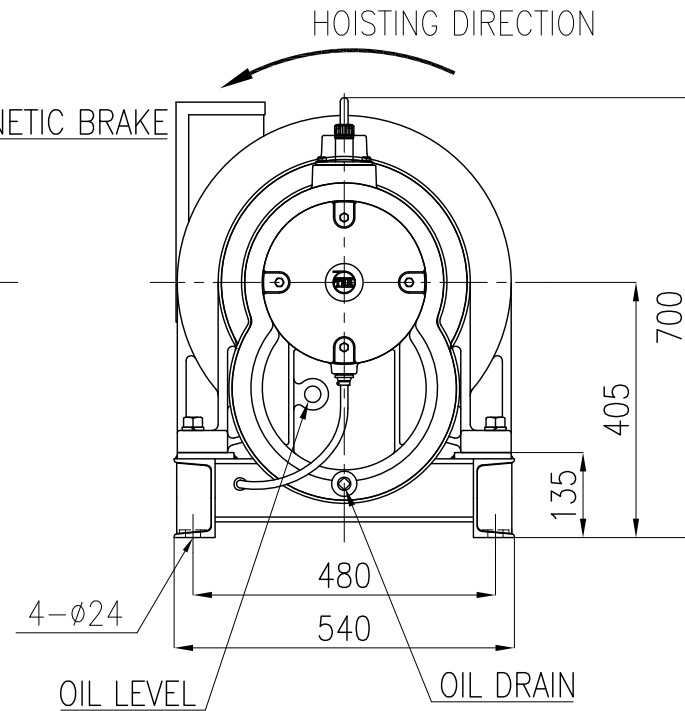
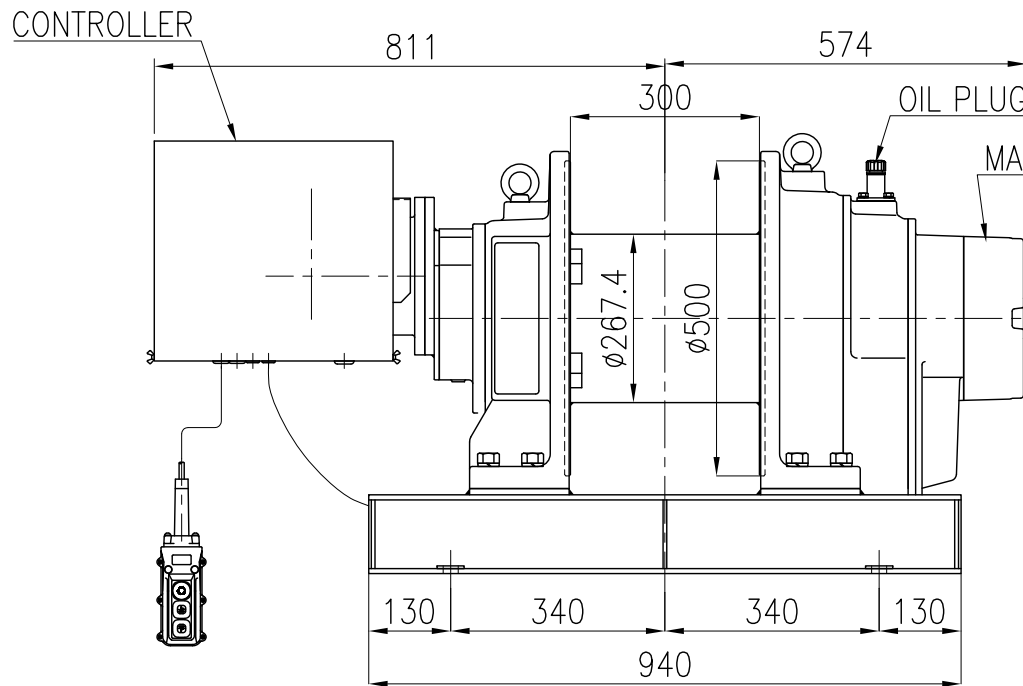


SPECIFICATION

MODEL	MA-10G18(S)		
FREQUENCY	50 Hz	60 Hz	
RATED LOAD	1300 kg	1000 kg	
ROPE SPEED	18 m/min	22 m/min	
LENGTH OF WINDING	ø14×160m (7Ls)		
MOTOR	OUTPUT	POLES	VOLTAGE
	3.9kW	4P	200V
ISO CLASS	M5		
WEIGHT	460 kg		



TYPE	MA-10G18(S)
NAME	OUTLINE
DRAWN No.	051465