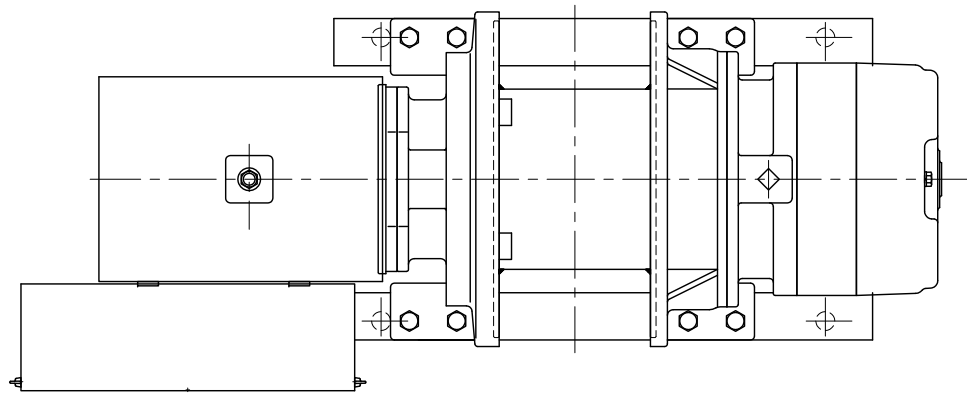
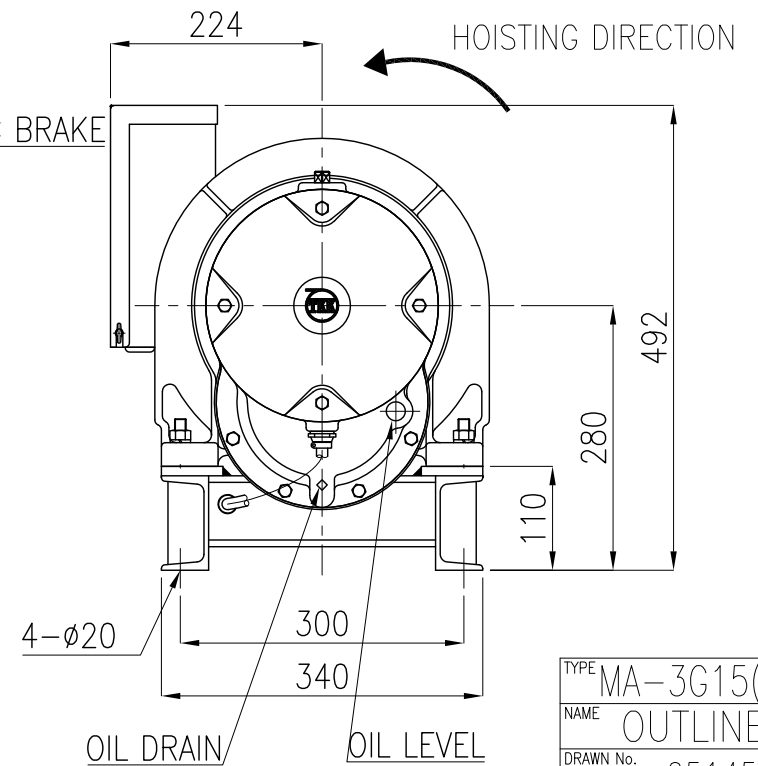
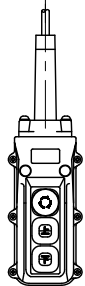
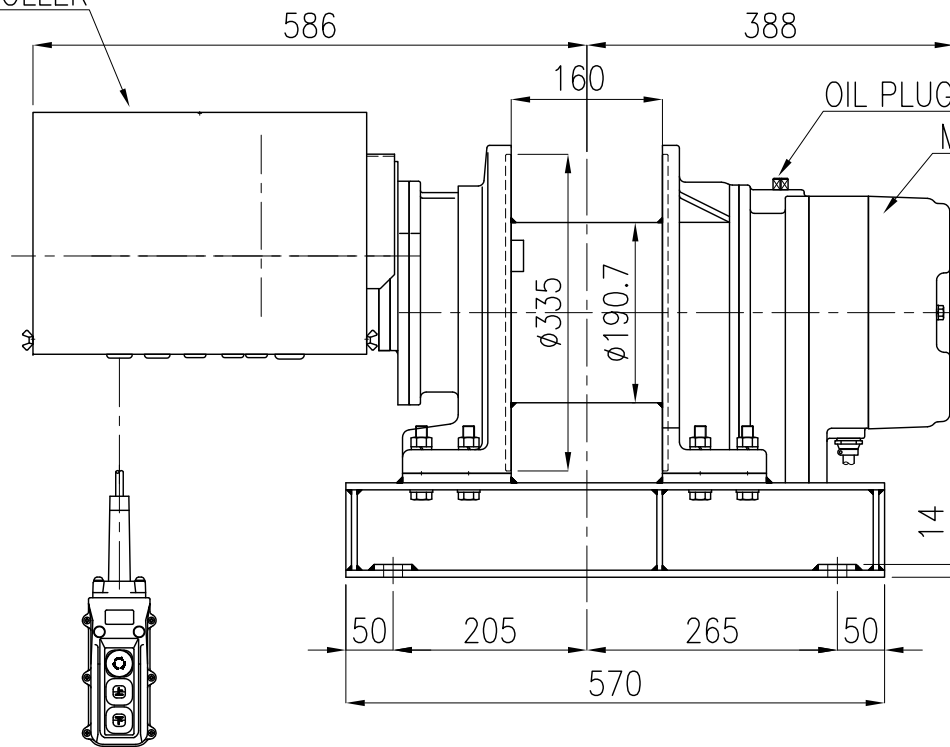


SPECIFICATION

MODEL	MA-3G15(S)		
FREQUENCY	50 Hz	60 Hz	
RATED LOAD	400 kg	400 kg	
ROPE SPEED	15 m/min	18 m/min	
LENGTH OF WINDING	ø8×120m (8Ls)		
MOTOR	OUTPUT	POLES	VOLTAGE
	1.5kW	4P	200V
ISO CLASS	M5		
WEIGHT	160 kg		



CONTROLLER



TYPE	MA-3G15(S)
NAME	OUTLINE
DRAWN No.	051459