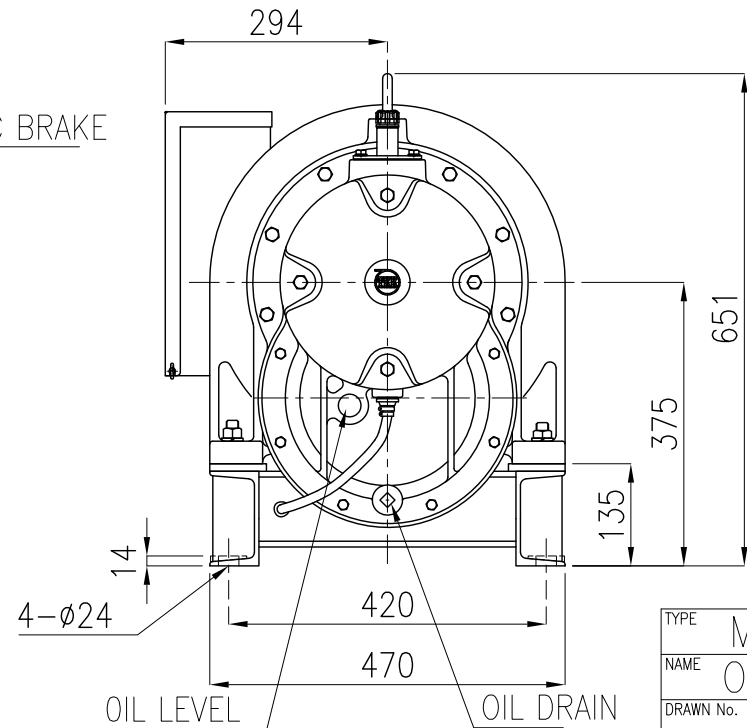
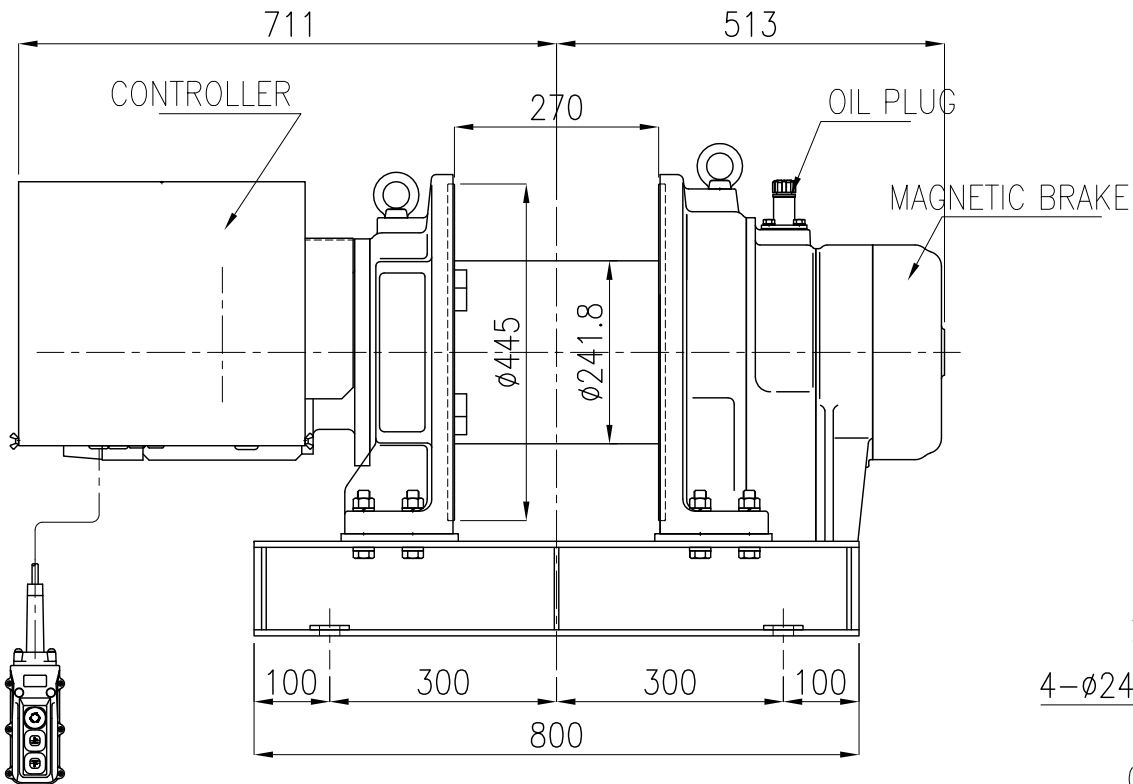
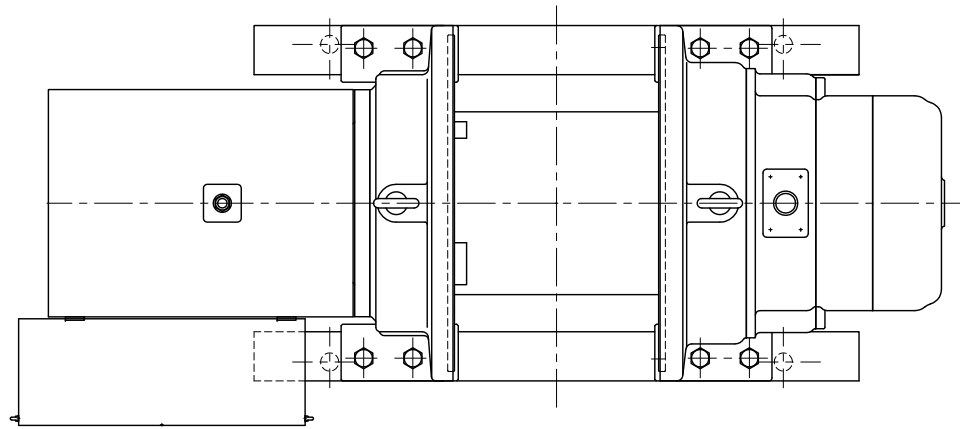


SPECIFICATION

MODEL	MA-7(S)		
FREQUENCY	50 Hz	60 Hz	
RATED LOAD	1000 kg	850 kg	
ROPE SPEED	35 m/min	42 m/min	
LENGTH OF WINDING	ø12×150m (7Ls)		
MOTOR	OUTPUT	POLES	VOLTAGE
	6.1kw	4P	200V
ISO CLASS	M5		
WEIGHT	350 kg		



TYPE	MA-7(S)
NAME	OUTLINE
DRAWN No.	051447