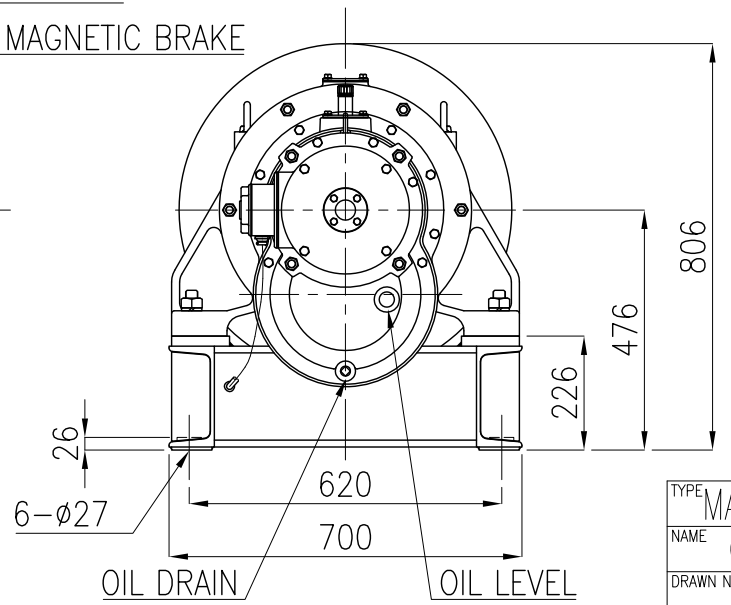
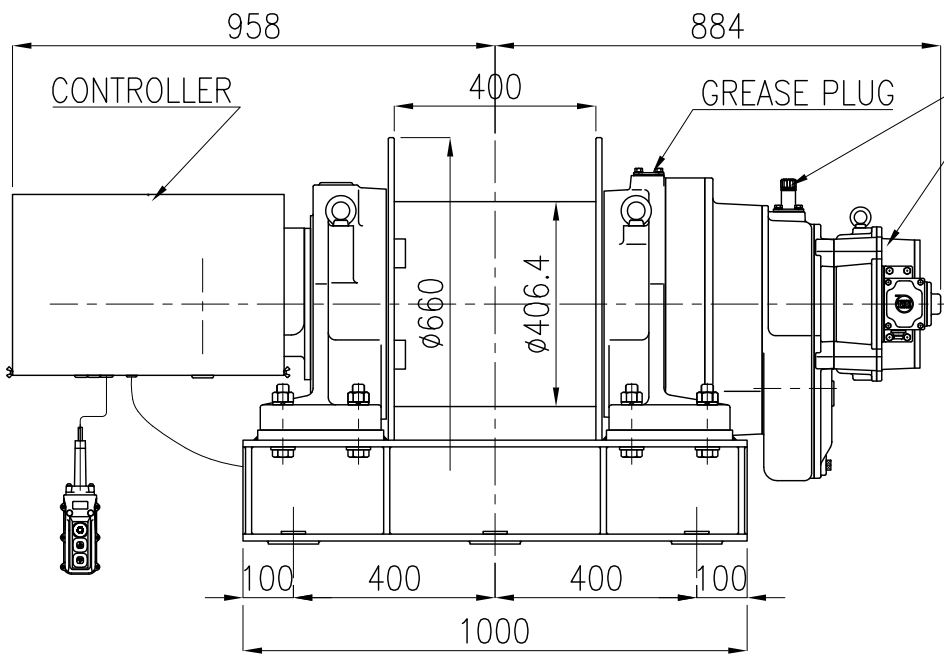


SPECIFICATION

MODEL	MAW-40H10(S)		
FREQUENCY	50 Hz	60 Hz	
RATED LOAD	3000 kg	3000 kg	
ROPE SPEED	10 m/min	12 m/min	
LENGTH OF WINDING	φ18×200m		
MOTOR	OUTPUT	POLES	VOLTAGE
	8.1kW	4P	200V
ISO CLASS	M4		
WEIGHT	840 kg		



TYPE	MAW-40H10(S)
NAME	OUTLINE
DRAWN No.	051476