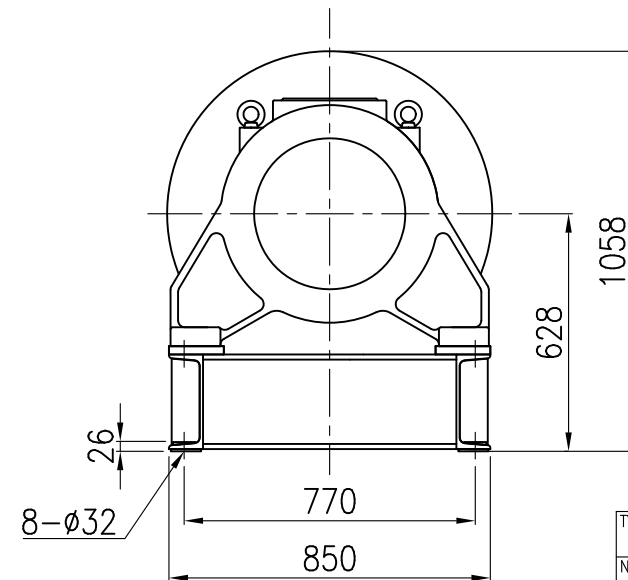
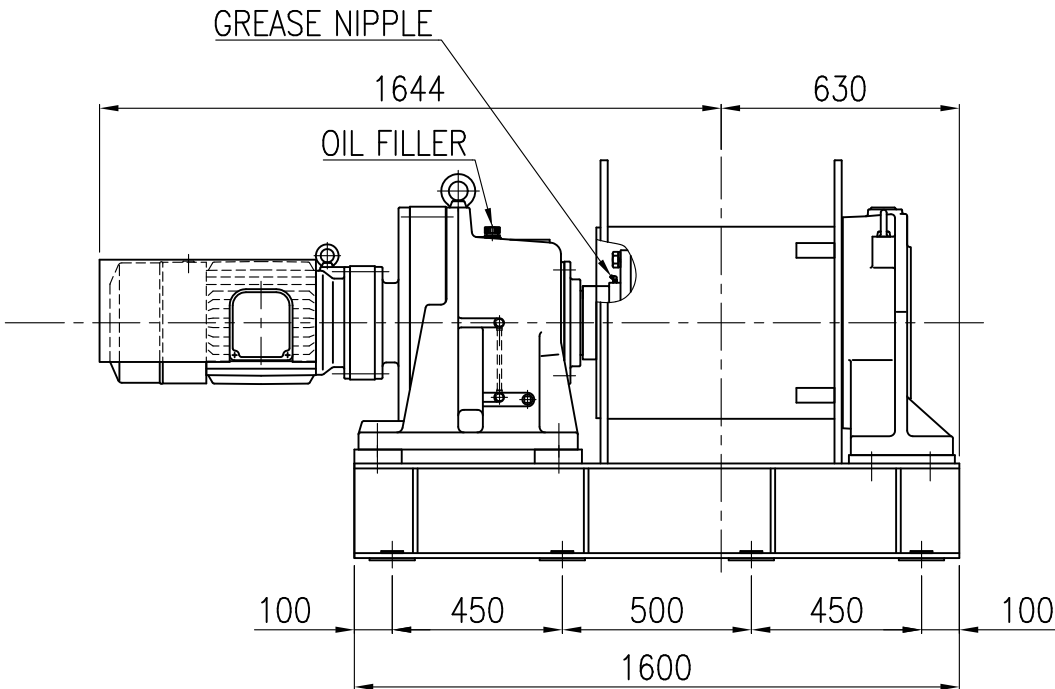


SPECIFICATION

MODEL	MW-60H10		
FREQUENCY	50/60	Hz	
RATED LOAD	6000	kg	
ROPE SPEED	10/12	m/min	
LENGTH OF WINDING	$\phi 25 \times 280\text{m}$ (6Ls)		
MOTOR	OUTPUT	POLES	VOLTAGE
	15kW	4P	200V
ISO CLASS	M4		
WEIGHT	1600 kg		



TYPE	MW-60H10
NAME	OUTLINE
DRAWN No.	032361